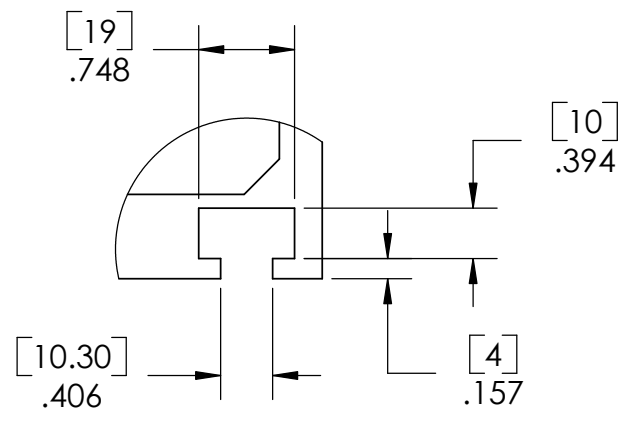
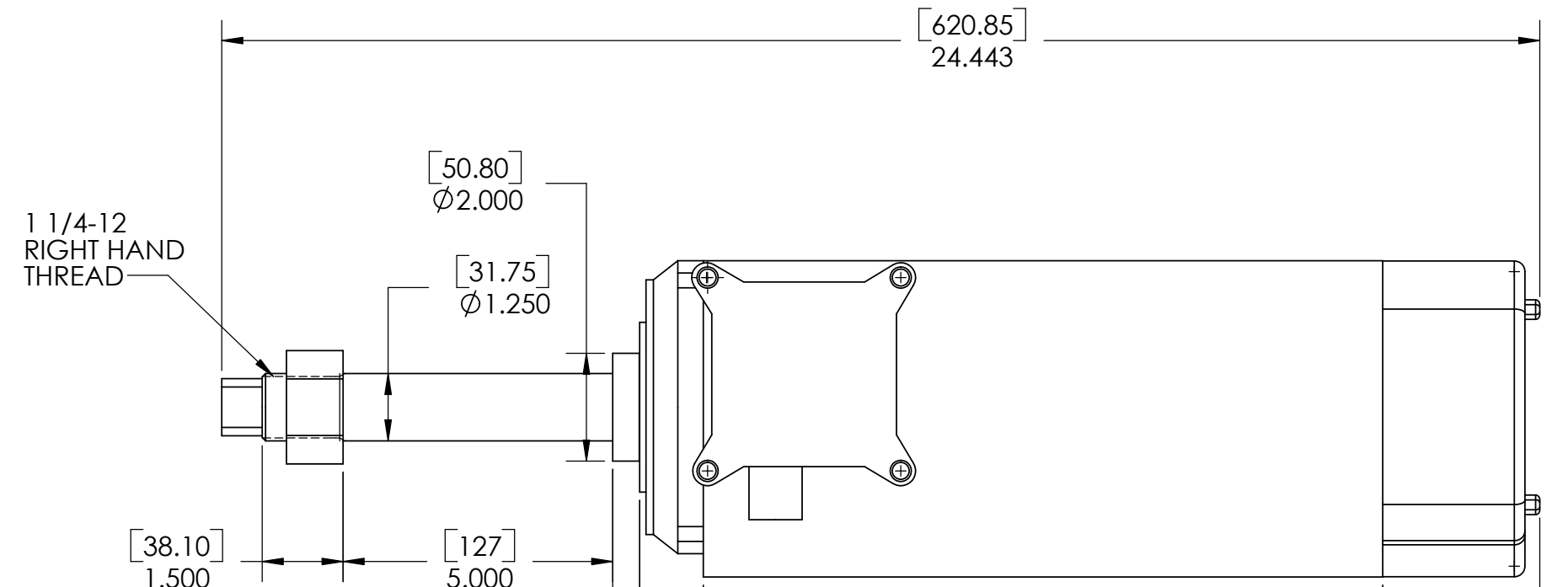
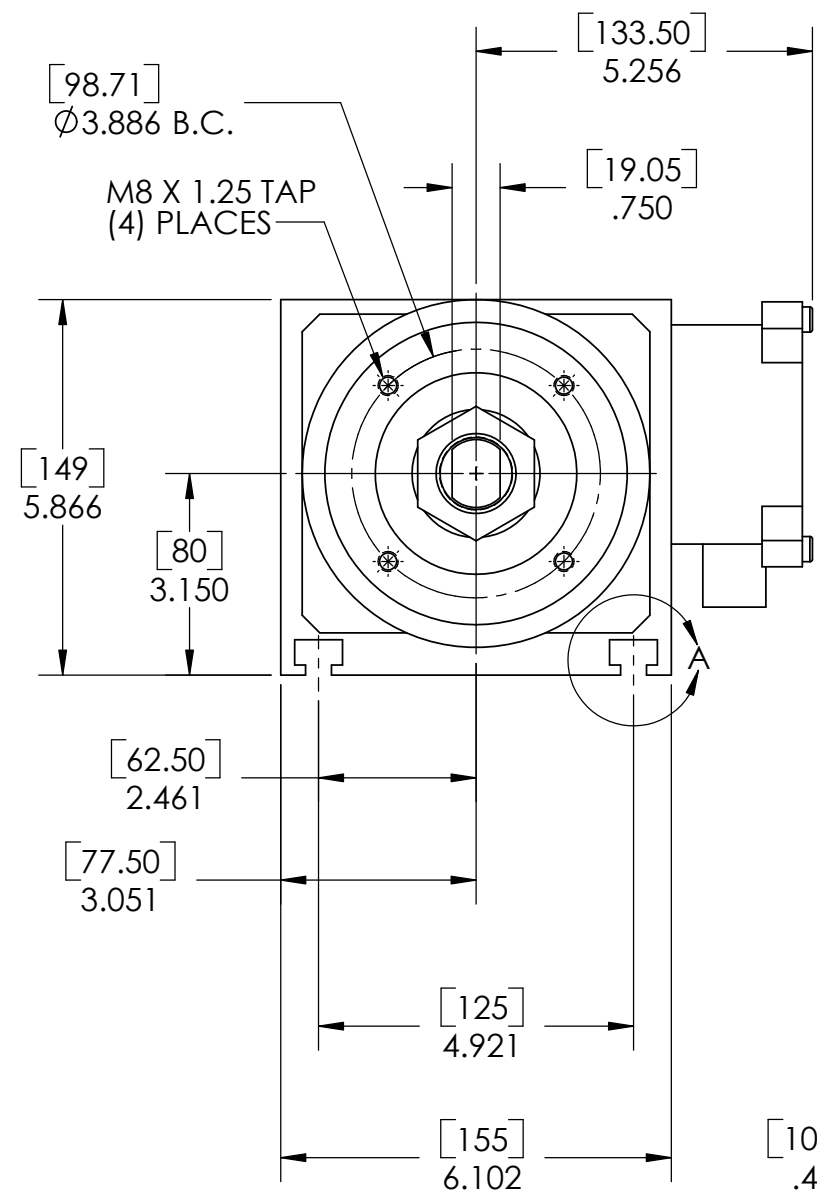


MODEL H80L2SE SPEC001



DETAIL A
SCALE 2 : 3

