



## Mistic Mist Systems

For use in

- Milling
- Grinding
- Sawing
- Drilling
- Turning
- Tapping

***Cools & Lubricates the “Point of Cut”***

---

**Ekstrom Carlson**  
5248 27th Ave. Rockford, IL 61109

(815) 394-1744  
Fax - (815) 316-8120  
sales@ekstromcarlson.com

**ekstromcarlson.com**

Prices and specifications subject to change without notice

F.O.B. Rockford, IL

Minimum Order \$75.00

**Price list effective: 11/05/15**

## MISTIC MIST UNITS

450-2500	Mistic-Mini	118.00	452-3337	2RH-1 2 gal 1 outlet unit	\$285.00
451-3077	1ST-1LC 1 gallon 1 outlet unit	140.00	452-4984	2RH-2 2 gal 2 outlet unit	350.00
451-3005	1ST-2LC 1 gallon 2 outlet unit	192.50	452-4986	2RH-4 2 gal 4 outlet unit	475.00
451-3721	1ST-1LP 1 outlet Loc-line unit	175.00	452-4987	2RH-5 2 gal 5 outlet unit	535.00
451-3722	1ST-2LP 2 outlet Loc-line unit	260.00	452-3731	2RH-1LP 1 outlet 12"Loc-line Mtg Foot unit	285.00
451-3725	1ST-1MP 1 outlet Mag Base unit	175.00	452-3732	2RH-2LP 2 outlet 12"Loc-line Mtg Foot unit	350.00
451-3726	1ST-2MP 2 outlet Mag Base unit	260.00	452-3741	2RH-1MP 1 outlet w/12"Loc-line & Disc Mag	285.00
454-4990	5RT-2SS 3 outlet 5 gal poly tank	405.00	452-3742	2RH-2MP 2 outlet w/12"Loc-line & Disc Mag	350.00
454-4992	5RT-4SS 5 outlet 5 gal poly tank	495.00	452-3744	2RH-4MP 4 outlet w/12"Loc-line & Disc Mag	475.00
454-4994	5RT-6SS 7 outlet 5 gal poly tank	585.00	454-4989	5RT-2SS 2 outlet 5 gal poly tank	360.00
			454-4991	5RT-4SS 4 outlet 5 gal poly tank	450.00
			454-4995	5RT-8SS 8 outlet 5 gal poly tank	630.00
			454-4997	5RT-10SS 10 outlet 5 gal poly tank	700.00
			454-4999	5RT-12SS 12 outlet 5 gal poly tank	750.00

Units are available with longer lines, or different nozzles, please call for quotation.

## ACCESSORIES FOR MIST UNITS

420-4450	Air Hose Assembly	14.50	250-3094-110	Solenoid Valve 110 VAC	110.00
220-4452	Coupling	4.00	250-3094-24	Solenoid Valve 24VDC	110.00

## MISTIC-2000 LUBE DISPENSERS

M2000-1A	SINGLE Manual Braided Line Unit	250.00	M2000-2AL	DOUBLE LEVER Braided Line Unit	385.00
M2000-1B	SINGLE Manual Braided & FLEX-LINE	260.00	M2000-2BL	DOUBLE LEVER Braided & FLEX-LINE	375.00
M2000-1F	SINGLE Manual FLEX-LINE	240.00			
M2000-1AL	SINGLE LEVER Braided Line Unit	285.00	Solenoid Units - please specify 110V AC or 24V DC.		
M2000-1BL	SINGLE LEVER Braided & FLEX-LINE	295.00	M2000-1AS	SINGLE SOLENOID Braided Line Unit	325.00
M2000-1BLR	SINGLE LEVER Flexible Rubber LINE	305.00	M2000-1BS	SINGLE SOLENOID Braided & FLEX-LINE	335.00
M2000-1FL	SINGLE LEVER FLEX-LINE	275.00	M2000-1FS	SINGLE SOLENOID FLEX-LINE	315.00
			M2000-2AS	DOUBLE SOLENOID Braided Line	395.00
			M2000-2BS	DOUBLE SOLENOID Braided & FLEX-LINE	415.00

## FLEXSOCKET WRENCHES

Hex socket wrench with spring connection. Wrench is flexible through 120 degrees. Designed for hard to reach places.

420-3284	Flexsocket Wrench set (Set of 7 wrenches)	35.50	420-3373	9/64" Flexsocket Wrench	5.75
420-3370	3/32" Flexsocket Wrench	5.45	420-3374	5/32" Flexsocket Wrench	5.85
420-3371	7/64" Flexsocket Wrench	5.55	420-3375	3/16" Flexsocket Wrench	5.95
420-3372	1/8" Flexsocket Wrench	5.65	420-3376	7/32" Flexsocket Wrench	6.25

## CENTRAL SYSTEM STANDARD AND HI-FLOW UNITS

**FLEXI-UNITS** - without tanks (include liquid tube and filter)

460-112-M	CS-1V 12"Flexi 3" Nozzle w/mag base	165.00
460-112-MD	CS-1V DALC 12"Flexi 3" Nozzle w/mag	225.00
460-118-M	CS-1V 18"Flexi 3" Nozzle w/mag base	175.00
460-118-MD	CS-1V DALC 18"Flexi 3" Nozzle w/mag	235.00
465-118-F5D	HF-1V DALC 18"FMT 5" Nozzle w/mag	255.00
465-124F3D	HF-1V DALC 24"FMT 5" Nozzle w/mag	255.00

### INSTANT ON/OFF UNITS

Specify Voltage: 110 Volt AC or 24 Volt DC

With 2 gallon metal tank

460-IOO-STD1	1 Outlet Standard	430.00
460-IOO-STD2	2 Outlet Standard	525.00
460-IOO-STD3	3 Outlet Standard	605.00
460-IOO-STD4	4 Outlet Standard	675.00

With 5 gallon metal tank

465-IOO-HF1	1 Outlet Hi-Flow Output	495.00
465-IOO-HF2	2 Outlet Hi-Flow Output	595.00
465-IOO-HF3	3 Outlet Hi-Flow Output	680.00
465-IOO-HF4	4 Outlet Hi-Flow Output	755.00
465-3038	Circular Saw Mist Unit with 5 gal metal tank	725.00

**CUSTOM UNITS** - Choose Standard Output or Hi-flow

Basic Unit must include: valve assembly, Air/Coolant Lead, and Nozzle.

### 1. VALVE BODY

CS uses 1/16" Tubing while HF uses 1/8" Tubing

1 outlet:	420-3401 CS Standard or 420-3467 Hi-Flow	77.00
2 outlet:	420-3402 CS Standard or 420-3468 Hi-Flow	145.00
3 outlet:	420-3403 CS Standard or 420-3469 Hi-Flow	213.00
4 outlet:	420-3404 CS Standard or 420-3470 Hi-Flow	260.00
Front:	420-3160 CS Standard or 420-3166 Hi-Flow	77.00
Center:	420-3161 CS Standard or 420-3167 Hi-Flow	77.00
End:	420-3162 CS Standard or 420-3168 Hi-Flow	77.00

### 1a. ON/OFF CONTROL OPTIONS - Optional

420-3309	DALC On/Off Lever Valve	70.00
420-4978-110	Dual Solenoid 110 VAC w/mounting plate	245.00
420-4978-24	Dual Solenoid 24 VDC w/mounting plate	245.00

### 2. AIR / COOLANT LINES

Listed on page 3.

### 3. SPRAY NOZZLES

Listed on page 3.

### 4. SPRAY NOZZLE HOLDERS / MAGNETS

Listed on page 3.

### 5. COOLANT TANKS - Optional

420-3339-F	2 gallon metal tank	185.00
420-3287-F	5 gallon metal tank	260.00
Poly Tanks available call for sizes and pricing		

420-3657-CS	5 ft poly liquid inlet tube	12.00
420-3279	Tank Filter	29.25

# SPARE PARTS - MISTIC MIST UNITS, CENTRAL SYSTEM UNITS, & HI-FLOW UNITS

## NOZZLES

### STANDARD OUTPUT - For use 1/16" Poly Tubing:

420-3089	3" Straight Nozzle	45.00
420-3090	Special 3" Nozzle - All Stainless Steel -	call for price
420-3199	3" 45^ Offset Nozzle **	45.00
420-3395	3" 90^ Offset Nozzle **	45.00
420-4260	3" 45^ nozzle (Flexi/M2000 units)	45.00
420-3392	5" Straight Nozzle	45.00
420-3393	5" 45^ Offset Nozzle **	45.00
420-3394	5" 90^ Offset Nozzle **	45.00

\*\*Nozzles that include 420-3088 7" Nozzle Clip Assembly

### HI-FLOW - For use with 1/8" Poly Tubing:

420-3606	Hi-flow 5" Straight Nozzle	44.75
420-3644	Hi-flow 5" 45^ Offset Nozzle	53.75

## AIR/COOLANT LINES

### 1ST, 5ST, 5RT and Mini UNITS

Braided Air/Coolant Lines encasing 1/16" OD poly tubing.

Red plastic tab on one end and threaded fitting on other end.

420-3046-03	3 ft Air & Coolant Line (Mistic-Mini)	33.00
420-3046-04	4 ft Air & Coolant Line (1ST Standard unit)	33.00
420-3046-05	5 ft Air & Coolant Line (5ST & 5RT units)	36.50
	longer lengths - add per foot	3.50
420-4392-04	1ST LP/MP Line 4ft Braid w/5ft poly tubing	31.50
	longer lengths - add per foot	3.50

### 2RH UNITS Braided Air/Coolant Lines encasing 1/16" OD poly tubing .

Threaded fitting on both ends.

420-3345-04	4 ft Air & Coolant Line (2RH units)	33.00
	longer lengths - add per foot	3.50
420-4396-04	2RH LP/MP Line 4ft Braid w/5ft poly tubing	34.50
	longer lengths - add per foot	3.50
420-4385-12	12" Loc-Line w/Mtg foot (LP) no line	39.00
420-4388-12	12" Loc-Line w/Mag base (MP) no line	39.00
420-4395-12	12" Loc-Line, Disc Mag & 3 ft ACT Line	60.50

### Central System Standard:

420-3252-03	3' Braided Air/Coolant Line w/410-3288 bushing	43.00
	longer lengths - add per foot	3.50
	Line without bushing use 420-3345-04	
420-4311-12	Flexi-Line 12" Loc-Line	25.25
420-4311-18	Flexi-Line 18" Loc-Line	31.25
420-4395-12	12" Loc-Line, Disc Mag & 3 ft ACT Line	60.50

### Hi-flow:

420-3609-03	3' Hi-flow Braided Air/Coolant Line	33.00
	longer lengths - add per foot	3.50
420-3221-12	Hi-flow 12" FMT Lead	48.50
420-3221-24	Hi-flow 24" FMT Lead	55.50

### Replacement Poly Tubing

1/16" OD - used with Mistic Mist and CS Standard

260-3383-___	Poly Tubing - specify Red or Clear	
	- 0 to 49 ft per color, per ft	1.80
	- 50 ft & over per color, per ft	1.60

1/8" OD - used with Hi-Flow

260-3613-___	HF Poly Tubing - specify Red or Clear	
	- 0 to 49 ft per color, per ft	2.00
	- 50 ft & over per color, per ft	1.80

## MAGNETS / NOZZLE POSITIONERS

420-3123	UNH Magnet Only	27.50
420-3324	60# MUNH Magnet Assembly (2 swivels)	39.75
420-3131	60# Magnet Assembly (3 swivels)	44.75
420-3626	Hi-flow 60# MUNH Magnet Assembly	39.75
420-4210	Round Disc Magnet w/vinyl cover & screw	15.75

## SPARE PARTS

230-3330	O-Ring - 7/16" OD	1.50
230-3331	O-Ring - 3/8" OD	1.55
260-3032	Nozzle spring guard	2.00
260-3049	1ST - 1 Gallon Tank	29.50
260-3050	Poly liner	2.25
260-3328	Knob	4.25
260-4387	External Retaining Ring - 3/16" OD	1.25
410-3006	1ST Wall mounting bracket	8.75
410-3010	Nozzle Stud	4.75
410-3015	Long Nozzle Holder - 7" long	4.25
410-3033	Nozzle Nut	12.55
410-3065	1 outlet valve - use 420-4171	
410-3096	Retainer Screw	4.25
410-3101	Knob	3.95
410-3102	Rod Retainer	4.95
410-3103	Collar	6.65
410-3104	Nylon Pin	3.50
410-3117	Rod	3.25
410-3191	Jet Nut - CS - 10-32 thread	8.50
410-3192	Jet - CS - 10-32 thread	8.50
410-3263	Retainer Screw	4.25
410-3286	Sight Glass Tube - 5-1/2" (2RH tank)	9.95
410-3322	Sight Glass Elbow	10.50
410-3326	2RH Wall mounting bracket	6.95
410-3358	Jet - Hi-flow - 10-32 thread	8.50
410-3359	Jet Nut - Hi-flow - 10-32 thread	8.50
410-3651	2 outlet valve - use 420-4172	
410-4308	Flex-Line (Modified LL Nozzle) Nozzle	9.00
410-4321	Jet Nut 8-32 thread	12.00
420-3016	Air control assembly	19.75
420-3021	Level indicator assembly	11.95
420-3061	Snap-in Cap	8.50
420-3063-___	1ST Cover w/cap, specify <u>1</u> or <u>2</u> outlets	31.00
420-3072	Liquid control assembly	19.75
420-3078	1 outlet valve ass'y - use 420-4181	
420-3087	Nozzle Stud & W ing Nut	6.00
420-3088	7" Nozzle Clip Assembly	9.45
420-3109	2 outlet valve ass'y - use 420-4182	
420-3126-2	Pick-up tube assembly - Mini, 1ST, & 2RH	14.50
420-3126-5	Pick-up tube assembly - 5ST & 5RT	15.75
420-3282-___	2RH Cover Ass'y, specify # outlets 1 thru 5	45.50
420-3341	2RH Tank with sight glass	150.00
420-3344	Swivel Lock Assembly	14.50
420-3355	Air/Liquid Control Assembly - CS/HF	19.75
420-4171	1 Outlet valve body w/jets & nuts	39.75
420-4172	2 Outlet valve body w/jets & nuts	55.00
420-4173	3 Outlet valve body w/jets & nuts	79.50
420-4174	4 Outlet valve body w/jets & nuts	101.50
420-4181	1 Outlet valve assembly	73.85
420-4182	2 Outlet valve assembly	116.50
420-4183	3 Outlet valve assembly	169.50
420-4184	4 Outlet valve assembly	219.50
420-4322	Jet 8-32 thread	12.00

## COOLANT CONCENTRATES and LUBRICANTS

### MISTIC MIST II COOLANT CONCENTRATE

260-3000-00	½ pint sample bottle	9.25
260-3000-01	1 gallon bottle	38.25
260-3000-05	5 gallon pail	154.75
260-3000-55	55 gallon Drum	1045.00
260-3000-06	Case of 6 one gallon bottles	205.00

### MISTIC-2000 SYNTHETIC BASED LUBRICANT

M2000-S-00	S-LUBE - ½ pint sample bottle	10.50
M2000-S-1	S-LUBE - One gallon bottle	41.25
M2000-S-1C	S-LUBE - Case of 4 pc 1 gallon bottles	152.00
M2000-S-5	S-LUBE - 5 gallon pail	155.00
M2000-S-55	S-LUBE - 55 gallon Drum	995.00

### MISTIC "LUBRA HD" HEAVY DUTY CONCENTRATE

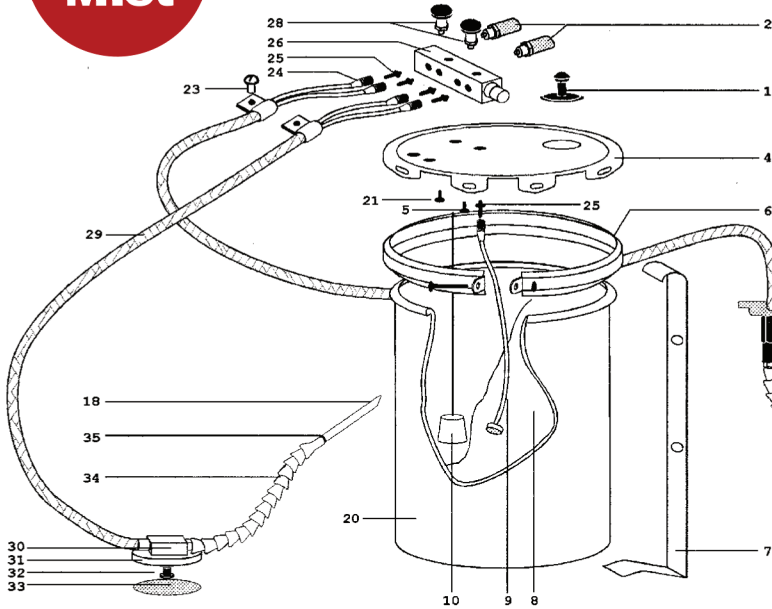
260-3100-00	½ pint sample bottle	10.00
260-3100-01	1 gallon bottle	46.25
260-3100-05	5 gallon pail	195.00
260-3100-55	55 gallon Drum	1050.00
260-3100-06	Case of 6 one gallon bottles	246.00

### MISTIC\_2000 VEGETABLE BASED LUBRICANT

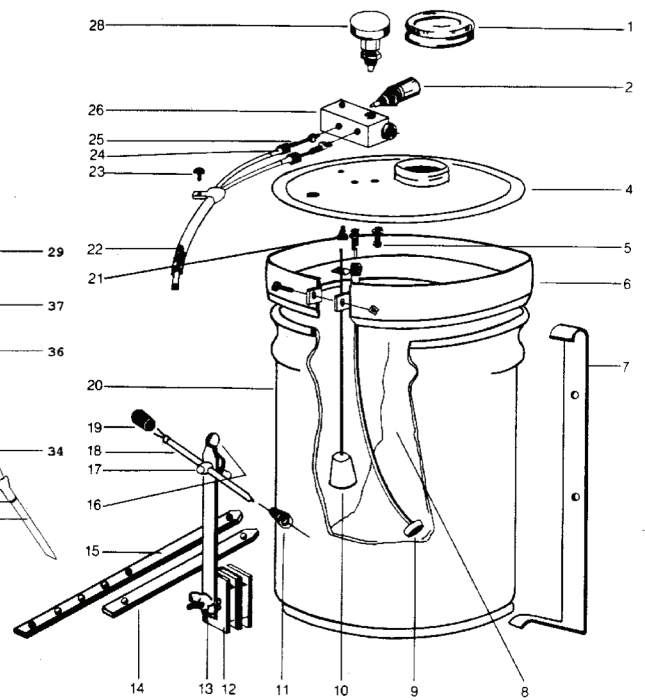
M2000-V-00	V-LUBE - ½ pint sample bottle	12.75
M2000-V-1	V-LUBE - One gallon bottle	61.50
M2000-V-1C	V-LUBE - Case of 4 pc 1 gallon bottles	234.00
M2000-V-5	V-LUBE - 5 gallon pail	265.00
M2000-V-55	V-LUBE - 55 gallon Drum	2195.00



Please order by part number. Prices and specifications subject to change without notice.



**MISTIC MIST GENERATOR - MODEL "1LP" or "1MP"** Shown above on left



**MISTIC MIST GENERATOR - MODEL "1ST"** Shown above on right

**COMMON PARTS**

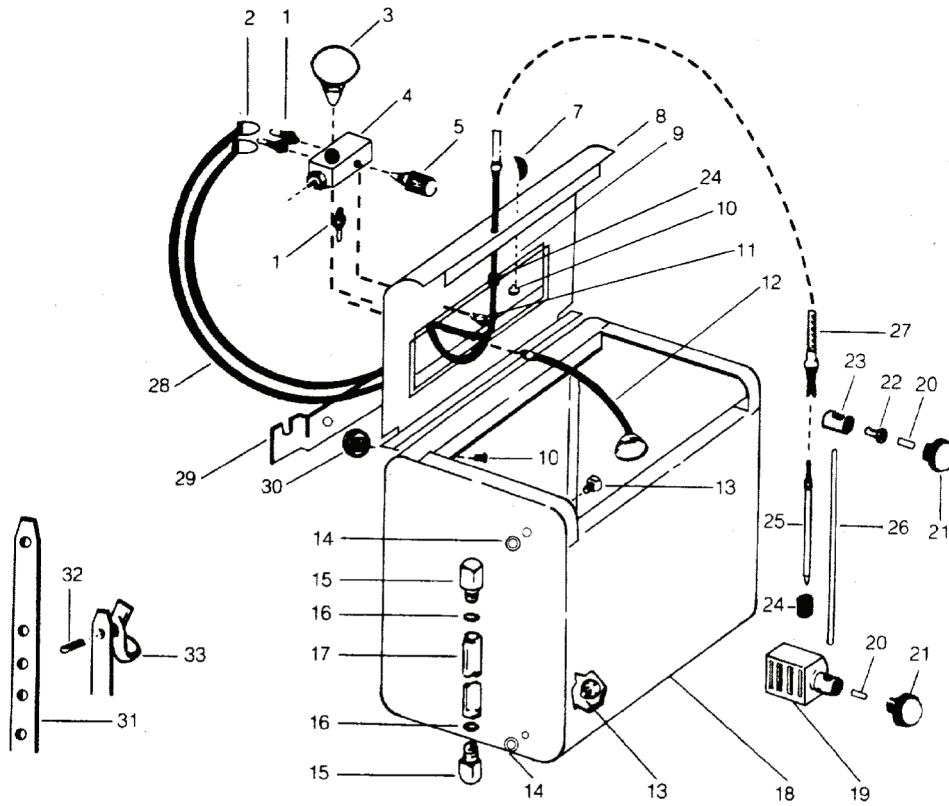
#	PART	DESCRIPTION	PRICE
1	420-3061	Snap-in Cap	8.50
2	420-3072	Liquid control assembly	19.75
4	420-3063-___	1ST Cover with cap (specify 1 or 2 outlets)	31.00
5	210-3060	5-40 x 1/4" machine screw	1.75
6	420-3086	1ST Band assembly	19.50
7	410-3006	1ST Wall mounting bracket	8.75
8	260-3050	Poly liner	2.25
9	420-3126-2	Pick-up tube assembly	14.50
10	420-3021	Level indicator assembly	11.95
11	260-3032	Nozzle spring guard - optional (protects nozzle tip)	2.00
18	420-3089	3" Straight Nozzle	45.00
19	410-3033	Nozzle Nut	2.85
20	260-3049	1 Gallon Tank	29.50
21	410-3096	Retainer Screw	3.75
22a	Replacement 1/16" OD Poly tubing for air & coolant lines 260-3383-___	Red or Clear - 0 to 49 ft, per foot - 50 ft & over - per foot	1.80 1.60
23	210-4325	Screw - #8 sheet metal	1.35
23a	210-4324	Square grommet nut	1.75
24	410-4321	Jet Nut 8-32 thread	8.50
25	420-4322	Jet 8-32 thread	8.50
26	420-4171	1 Outlet valve body w/jets & nuts	39.75
	420-4172	2 Outlet valve body w/jets & nuts	55.00
	Valve assemblies include items: 2, 24, 25, 26 & 28.		
	420-4181	1 Outlet valve assembly	73.85
	420-4182	2 Outlet valve assembly	116.50
28	420-3016	Air control assembly	19.75

**PARTS SPECIFIC TO UNIT**

#	UNIT	PART	DESCRIPTION	PRICE
12	1ST	420-3324	60# MUNH Magnet Assembly	39.75
	1ST	420-3123	UNH Red Molded Magnet only	27.50
	1ST	420-3344	Swivel Lock Assembly	14.50
	1ST	410-3101	Knob	3.95
	1ST	410-3102	Rod Retainer	4.95
	1ST	410-3103	Collar	6.65
	1ST	410-3104	Nylon Pin	3.50
	1ST	410-3117	Rod	3.25
15	1ST	410-3015	Long Nozzle Holder - 7" long	4.25
16	1ST	210-3055	Wing Nut, 1/4-28**	1.95
17	1ST	410-3010	Nozzle Stud**	4.75
	1ST	420-3087 **	Nozzle Stud & Wing Nut	6.00
18		Nozzles		
	1ST	420-3089	3" Straight Nozzle	45.00
	1ST	420-3199	3" 45° Offset Nozzle*	45.00
	1ST	420-3395	3" 90° Offset Nozzle*	45.00
	1ST	420-3392	5" Straight Nozzle	45.00
	1ST	420-3393	5" 45° Offset Nozzle*	45.00
	1ST	420-3394	5" 90° Offset Nozzle*	45.00
		*Bent nozzles include 420-3088 Nozzle Clip Ass'y		
22	1ST	420-3046-04	Air & Coolant line-4 ft Longer lengths add per foot	33.00 3.50
29	1LP 1MP	420-4392-04	Air/Coolant Lead ST LP/MP unit Longer lengths add per foot	34.50 3.50
30	1MP	410-4225	Adapter - ACT Line to Magnet	11.50
31-33	1MP	420-4210	Magnet Assembly w/screw&Cover	15.75
35	1LP 1MP	260-4387	Retaining Ring - 3/16" nozzle	1.25
36	1LP	410-4386	Base Union for Loc-Line	14.50
37	1LP	260-3223	Mounting Foot	9.25

The following do not include air/coolant lines:

1LP	420-4385-12	Loc-Line positioner w/mtg foot Items: 34, 35, 36 & 37:	39.00
1MP	420-4388-12	Loc-Line positioner w/magnet base Items: 30, 31, 32, 33, 34 & 35:	39.00



## MISTIC MIST GENERATOR MODEL "2RH"

#	PART	DESCRIPTION	PRICE	#	PART	DESCRIPTION	PRICE
1	420-4322	Jet 8-32 thread	8.50	20	410-3104	Nylon Pin	3.50
2	410-4321	Jet Nut 8-32 thread	8.50	21	410-3101	Knob	3.95
3	420-3016	Air control assembly	19.75	22	410-3102	Rod Retainer	4.95
4	420-4171	1 Outlet valve body w/jets & nuts	39.75	23	410-3103	Collar	6.65
	420-4172	2 Outlet valve body w/jets & nuts	55.00	420-3324	60# MUNH Magnet assembly	39.75	
	420-4173	3 Outlet valve body w/jets & nuts	79.50	420-3344	Swivel Lock Assembly	14.50	
	420-4174	4 Outlet valve body w/jets & nuts	101.50		include items: 20 thru 23		
<b>Valve assemblies include items 1, 2, 3, 4, &amp; 5</b>				24	410-3033	Nozzle Nut (included with nozzles)	2.85
	420-4181	1 Outlet valve assembly	73.85	25	420-3089	3" Straight Nozzle	45.00
	420-4182	2 Outlet valve assembly	116.50	420-3199	3" 45° Offset Nozzle**	45.00	
	420-4183	3 Outlet valve assembly	169.50	420-3395	3" 90° Offset Nozzle**	45.00	
	420-4184	4 Outlet valve assembly	219.50	420-3392	5" Straight Nozzle	45.00	
5	420-3072	Liquid control assembly	19.75	420-3393	5" 45° Offset Nozzle**	45.00	
7	260-3328	Knob	4.25	420-3394	5" 90° Offset Nozzle**	45.00	
8	420-3282-___	Cover Ass'y, specify # outlets	45.50		**Bent nozzles include 420-3088 Nozzle Clip Ass'y		
		includes items 7, 8, 9, & 10		25a	260-3032	Nozzle spring guard (not shown)	2.00
9	410-3321	Catch	4.75		(protects nozzle tip)		
10	210-3332	8-32 x 1/4" machine screw	1.75	26	410-3117	Rod	3.25
11	210-3060	5-40 x 1/4" machine screw	1.75	27	420-3345-04	Air & Coolant Line - 4 ft	33.00
12	420-3126-2	Pick-up tube assembly	14.50		longer lengths add per ft	3.50	
13	410-3263	Retainer Screw	4.25	<b>Replacement tubing for air and coolant lines</b>			
14	230-3330	"O" Ring - 7/16" OD	1.50	28	260-3383	Poly Tubing-per ft - 0 to 49 ft	1.80
15	410-3322	Sight Glass Elbow	10.50		specify red or clear- 50 ft & over	1.60	
16	230-3331	"O" Ring - 3/8" OD	1.55	29	410-3326	2RH Wall mounting bracket	6.95
17	410-3286	Sight glass tube - 5 1/2" - (Polycarbonate)	9.95	30	410-3325	Mounting Nut	3.50
18	420-3341	Tank with sight glass	150.00	31	410-3015	Long Nozzle Holder 7"	4.25
19	420-3123	UNH Magnet Only	27.50	32	410-3010	Nozzle Stud	4.75
				33	210-3055	Wing Nut 1/4-28	1.95

Please order by part number. Prices and specifications subject to change without notice.