

Contact Information

Company Name: _____ Date: _____
 Contact Name: _____ Phone: _____
 Address: _____ Fax: _____
 _____ Email: _____

Workpiece and Production Volume

Detail: _____
 Quantity of tools: _____
 Volume of production: _____ pcs/year

Workpiece Material

Structural steel, good machinability Grey cast iron, malleable
 Hardened steel Nodular cast iron
 Tool steel Aluminum (<10% Si)
 Stainless steel Aluminum (>10% Si)
 Other _____ Copper, bronze

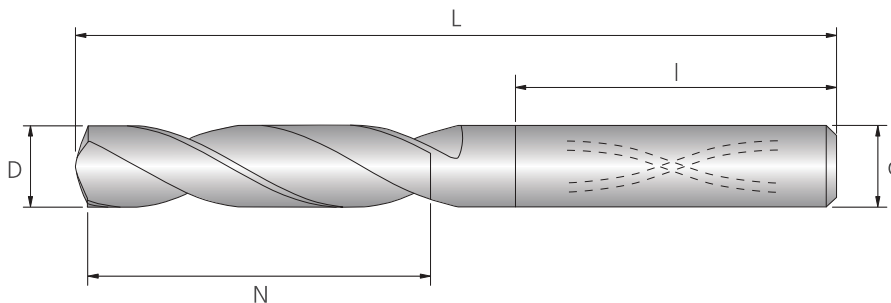
Coolant Supply

Through spindle
 Flood

Straight Shank DIN 6535

HA
 HE
 HB

| | | |
|----------------------|---------------------------------------|----------------------------|
| Material code | Tensile strength (N/mm ²) | Hardness (HRC, HB, HV,...) |
| <input type="text"/> | <input type="text"/> | <input type="text"/> |



Tool Information - specify inch or metric

| | Tool Dimension | Tool Tolerance | Workpiece Tolerance |
|--------------------|----------------|----------------|---------------------|
| D = Diameter | | | |
| d = Shank diameter | | | |
| L = Overall length | | | |
| N = Drilling depth | | | |
| l = Shank length | | | |

Please sketch workpiece below: